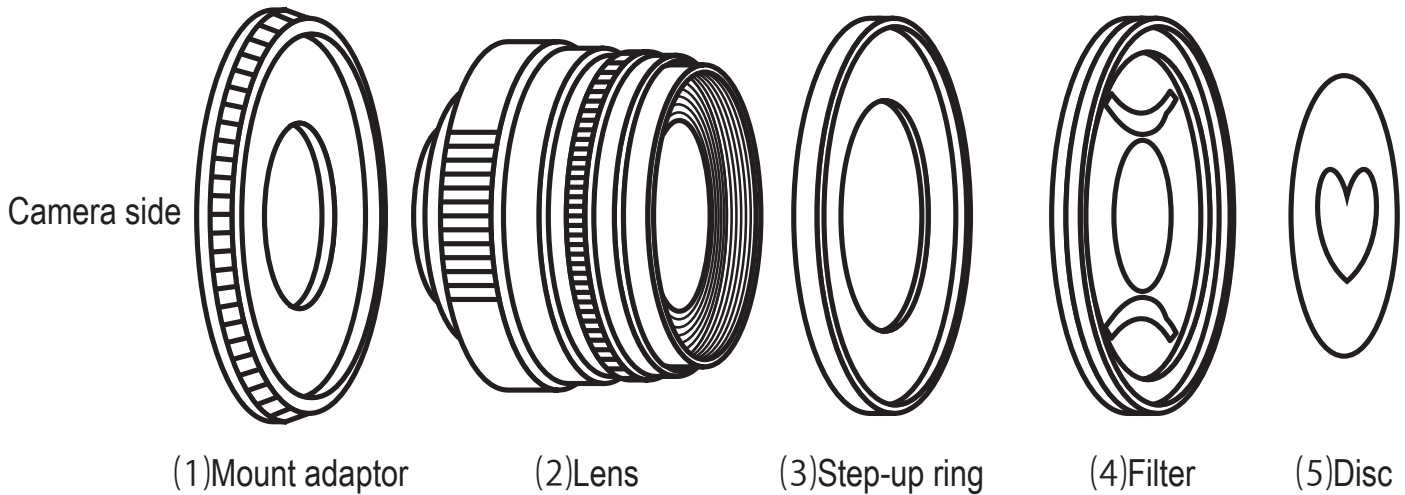


GIZMON Bokeh Lens Illuminator

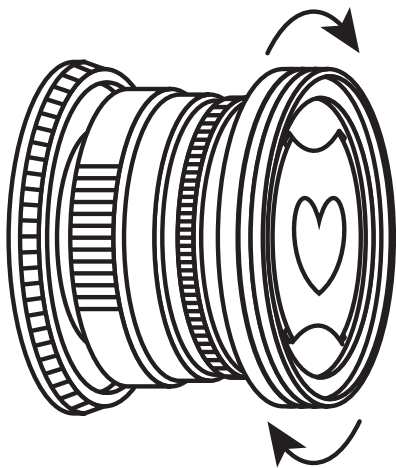
Thank you for your purchase. This manual will also be a warranty document. Please keep this somewhere safe. Before start using, please check the package to see everything is included.

- Fix everything in order to your camera like the picture below -



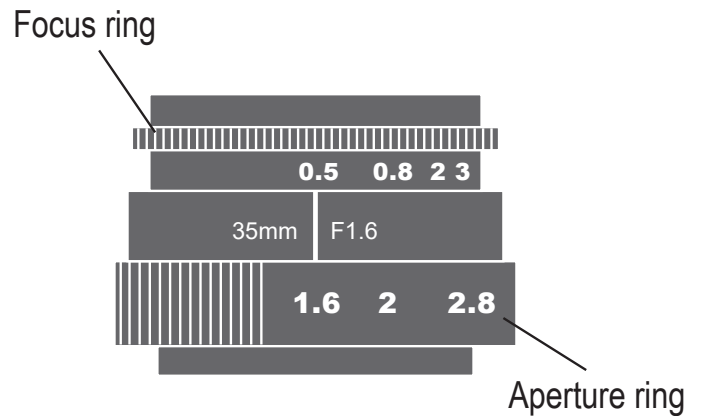
- Adjust the angle of the shape -

Turn the filter around to adjust the bokeh shape angle.



- How to produce a beautiful bokeh -

After adjusting the focus ring to 0.5 and aperture ring to 1.6, take photo of the light source in the background.



- Others -

- This product is a MF(Manual Focus)Lens.Switch on the “release without lens” on your camera setting.
- Set the shooting mode to A-Mode(Aperture Priority AE) or M-Mode(Manual Exposure)

- About Warranty -

- GIZMON,LLC. warrants that the Bokeh Lens Illuminator will be repaired or replaced for free of charge in materials and workmanship for a period of six months.
- This warranty shall not apply to any defect, failure or damage caused by improper use including dropping and giving a shock.

GIZMON,LLC.

34-1 hachiojimachi,choo-ku,
kumamoto city , kumamoto
860-0831 JAPAN
support@gizmon.co.jp